



DEFEND R™

The Industry's First Purpose-Built, All-Glass Ballistic Door



Comprehensive
Protection



Class A
Elegance



Effortless
Operation



Built
to Last



Simple to Install,
Adjust & Maintain

ballisticglassandarmor.com

The Defendoor™ Difference

Comprehensive Protection

A tested and proven ForceShield™ against ballistic attacks and forced entry

Class A Elegance

Sophisticated design showcases expanse of glass for unobstructed view

Effortless Operation

Proprietary hardware enables hefty door to be opened effortlessly with just two fingers

Simple to Install, Adjust & Maintain

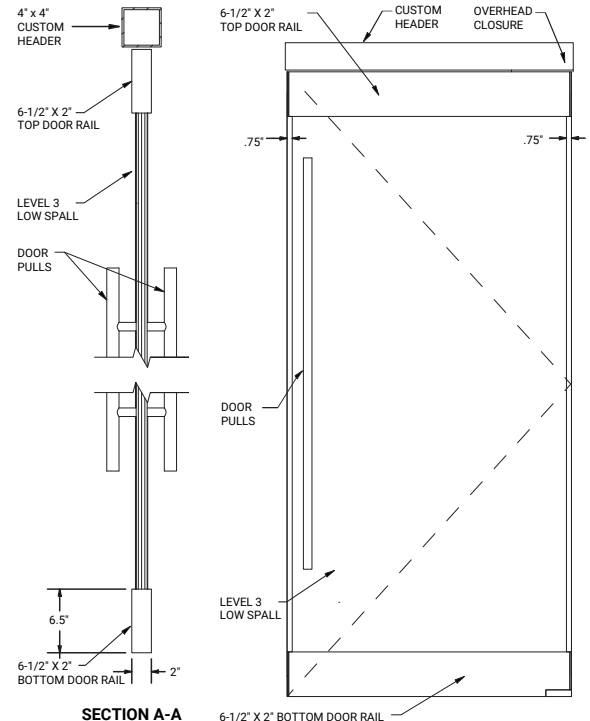
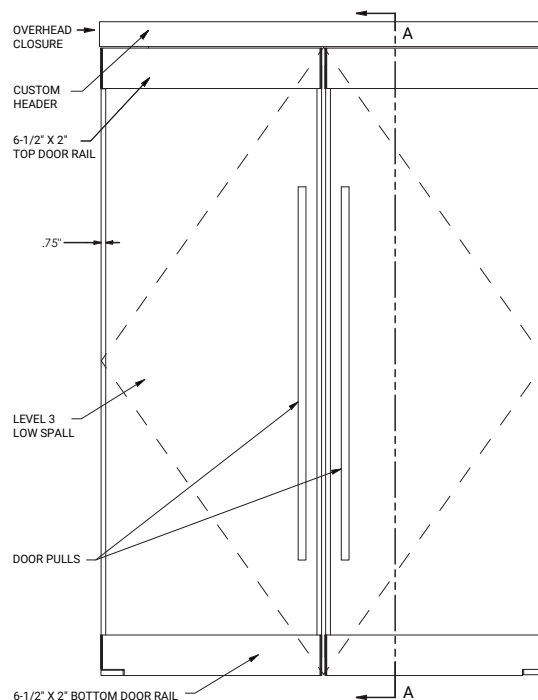
Faster and easier to install than standard all-glass doors; cleans like regular glass

Built to Last

Rigorously tested to operate flawlessly for over 1 million cycles

Standard hardware in Defendoor™ assemblies includes:

- 6-1/2" top and bottom rails with brushed stainless-steel cladding
- 60" brushed stainless steel ladder pulls
- Fully adjustable bottom pivot with a custom adjusting tool
- Heavy-duty, concealed overhead closer
- Magnetic locking system (other options available)



SIZING Width: 36" or 42" (single); 72" (double)
Height: Any height up to 108"

WEIGHT 36"x108" weighs ~400lbs

GLAZING GCP 1-1/8" thickness
Low-iron float glass option available

WARRANTY Glazing: Laminated glass warranted 5 years
Hardware: Workmanship and functionality warranted 5 years

If glass is ever damaged in a shooting or forced entry crime, we'll replace it for free—for life*

FINISHES Alternate cladding options available at additional cost

SECURITY Electronic and physical locking system

Compatible with leading access control and power supply (not included)

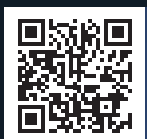
ADD-ONS Ballistic storefront framing, sidelites, and transom

STANDARDS Tested to UL 752 Ballistic Level 3 penetration standard (low spall)

Glazing tested to ASTM 3561 Level 8 Standard Specification for Forced Entry Active Shooter Attack

ASTM C 1172 Standard Specification for Laminated Architectural Flat Glass

ASTM B 209/B 209M Standard Specification for Aluminum and Aluminum Alloy Sheet and Plate



(972) 707-0105
sales@ballisticglassandarmor.com
ballisticglassandarmor.com

*Conditions apply. Learn more about our best-in-class ForeverSafe™ replacement program on ballisticglassandarmor.com.